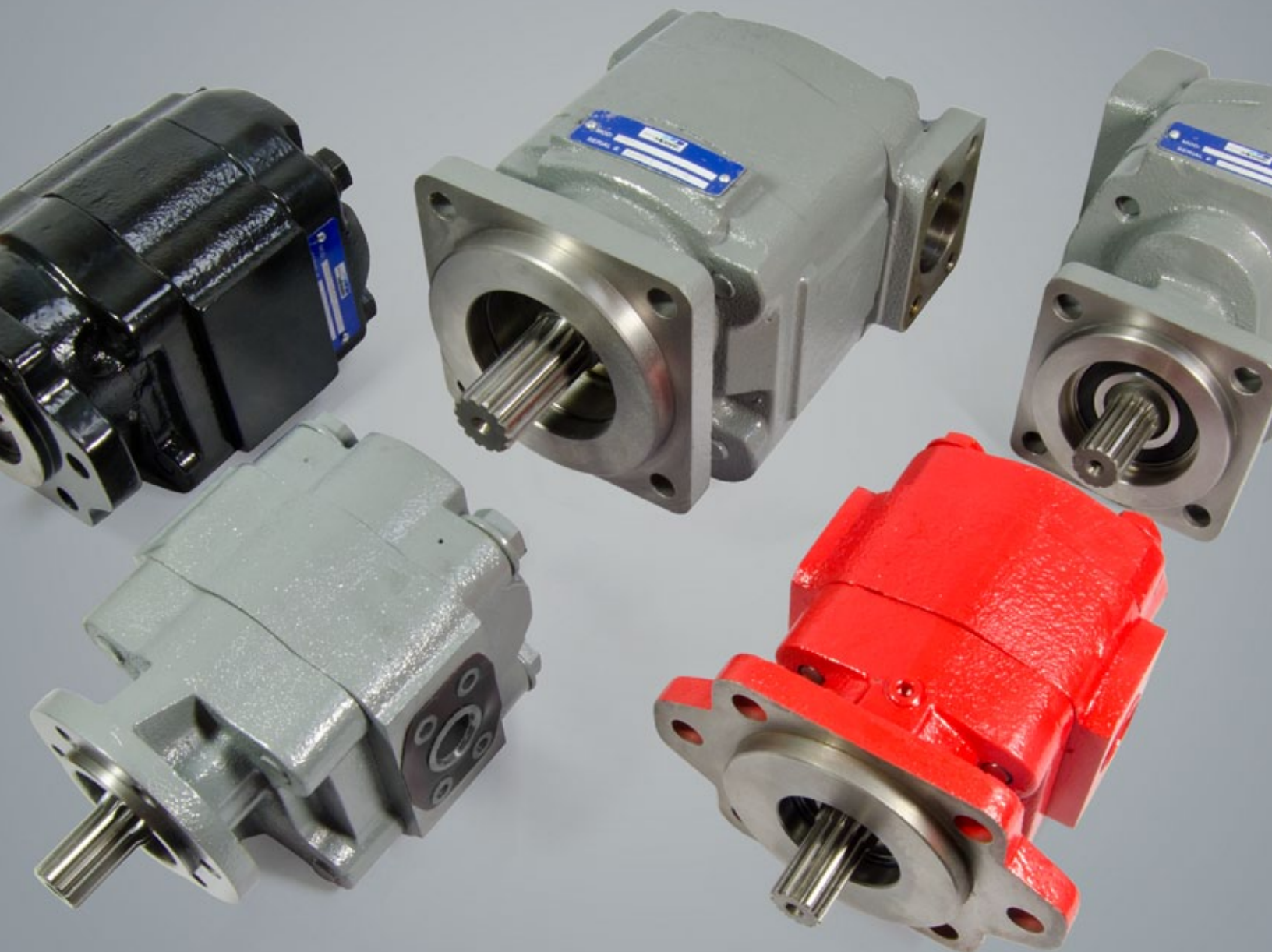


Genuine Metaris Gear Product Technical Catalog

Pumps & Components - MH Series Bearing & Bushing Style



MH350 Series Bushing Pump

Features

Metaris Bushing Pumps & Motors are available in 4 models with many of the same available options as Metaris Bearing Pumps. With ductile iron housings, these pumps offer pressure ratings as high as 3500 psi for the most demanding of applications.

- Heavy Duty Sleeve Bushing Design
- Dowelled and Rugged Cast Iron Construction
- Pressure Balanced Wear Plates
- Working Pressure up to 3500 psi
- Multiple Bearing Carrier Options
- NPT & SAE Port Options
- High Strength Steel Gear & Shaft Sets



Specifications

MH350		DISPLACEMENT		MAX PRESSURE	
GEAR WIDTH		IN ³ /REV	(CM ³ /REV)	PSI	BAR
.05	1/2"	1.28	(20.9)	3500	(241)
.07	3/4"	1.91	(31.3)	3500	(241)
1.00	1"	2.55	(41.8)	3500	(241)
1.25	1-1/4"	3.19	(52.2)	3500	(241)
1.50	1-1/2"	3.83	(62.7)	3500	(241)
1.75	1-3/4"	4.46	(73.1)	3250	(224)
2.00	2"	5.10	(83.6)	3000	(207)
2.25	2-1/4"	5.74	(94.0)	2750	(190)
2.50	2-1/2"	6.38	(104.5)	2500	(172)

MH350 Series Bushing Pump

Pump Performance Data

SPEED RPM	GEAR WIDTH (GPM/LPM)								
	1/2"	3/4"	1"	1-1/4"	1-1/2"	1-3/4"	2"	2-1/4"	2-1/2"
900	4 / 15	6.4 / 24	8.8 / 33	11.2 / 42	13.7 / 52	16.1 / 61	18.6 / 70	21 / 70	23.4 / 90
1200	5.6 / 21	8.8 / 33	12.1 / 46	15.4 / 58	18.7 / 71	21.9 / 83	25.2 / 95	28.4 / 108	31.7 / 120
1500	7.3 / 28	11.3 / 43	15.5 / 59	19.5 / 74	23.6 / 89	27.7 / 105	31.8 / 120	35.9 / 136	40 / 151
1800	8.9 / 34	13.8 / 52	18.8 / 71	23.6 / 89	28.6 / 108	33.5 / 127	38.4 / 145	43.3 / 164	48.3 / 183
2100	10.6 / 40	16.3 / 62	22.1 / 84	33.6 / 127	33.6 / 127	39.3 / 149	45.1 / 171	50.8 / 192	56.6 / 214
2400	12.2 / 46	18.8 / 71	25.4 / 96	38.5 / 121	38.5 / 146	45.1 / 171	51.7 / 196	58.2 / 220	64.8 / 245

Motor Performance Data

SPEED RPM	GEAR WIDTH									
	1" (3500 PSI)		1-1/4" (3500 PSI)		1-1/2" (3500 PSI)		1-3/4" (3250 PSI)		2" (3000 PSI)	
	INPUT FLOW (GPM/LPM)	OUTPUT TORQUE (IN/LBS / NM)	INPUT FLOW (GPM/LPM)	OUTPUT TORQUE (IN/LBS / NM)	INPUT FLOW (GPM/LPM)	OUTPUT TORQUE (IN/LBS / NM)	INPUT FLOW (GPM/LPM)	OUTPUT TORQUE (IN/LBS / NM)	INPUT FLOW (GPM/LPM)	OUTPUT TORQUE (IN/LBS / NM)
900	13.4 / 51	1320 / 149.1	16 / 61	1670 / 188.7	18.6 / 70	2025 / 228.8	21.2 / 80	2225 / 251.4	23.8 / 90	2350 / 265.5
1200	15.9 / 64	1315 / 148.6	20.4 / 77	1660 / 187.6	23.8 / 90	2015 / 227.7	27.2 / 103	2215 / 250.3	30.6 / 116	2340 / 264.4
1500	20.5 / 77	1300 / 146.9	24.7 / 93	1640 / 185.3	28.9 / 110	1990 / 224.8	33.2 / 126	2195 / 248	37.4 / 142	2315 / 261.6
1800	24 / 91	1295 / 146.3	29 / 110	1635 / 184.7	34.1 / 129	1980 / 223.7	39.2 / 148	2180 / 246.3	44.2 / 167	2300 / 259.9
2100	27.5 / 104	1285 / 145.2	33.4 / 126	1620 / 183	39.3 / 149	1965 / 222	45.2 / 171	2165 / 244.6	51.1 / 193	2285 / 258.2
2400	31 / 117	1265 / 142.9	37.7 / 143	1600 / 180.8	44.4 / 168	1940 / 219.2	51.2 / 194	2135 / 241.2	57.9 / 219	2255 / 254.8

Note: Input Flow @ 2500psi | Output Torque @ 175 bar

MH350 PL Chart

SHAFT STYLE	INTEGRAL	TWO PIECE
SAE "BB" Spline	9,900	9,000
SAE "BB" Keyed	7,100	7,100
SAE "B" Spline	6,450	6,450
SAE "B" Keyed	4,750	4,750
SAE "C" Spline	19,100	9,000
SAE "C" Keyed	13,900	9,000
Connecting Shaft		9,000

Values based on using anti-wear type petroleum oil 150 SUS at 100° F (ISO rating of 32 cSt at 38° C) and 0 psi inlet pressure.

MH350 Series Bushing Pump

Model Code Breakdown

Repeat for Tandem Units

1 2 3 4 5 6 7 8 9 6 7 10
MHP - 350 - A - 1 - 78 - BL - AB - 10 - 98 - AU - * - * - *

Type ¹

MHP = Pump
MHM = Motor

Unit ²

A = Single Unit
B = Tandem Unit
C = Single or Tandem Unit w/ a Continental Shaft
L = Unit w/ Extended Studs

Shaft End Cover ³

1 = Pump w/o Shaft Bearing (Clockwise Rotation)
2 = Pump w/o Shaft Bearing (Counter-clockwise Rotation)
4 = Pump w/ Shaft Bearing (Clockwise Rotation)
5 = Pump w/ Shaft Bearing (Counter-clockwise Rotation)
8 = Motor w/ Shaft Bearing (Bi-Rotational)
9 = Motor w/o Shaft Bearing (Bi-Rotational)

Shaft End Cover ⁴

42 = SAE 4-Bolt "B" Mount
46 = SAE 2/4-Bolt "B" Mount
78 = SAE 4-Bolt "C" Mount
97 = SAE 2-Bolt "B" Mount
98 = SAE 2-Bolt "C" Mount

Port End Cover ⁵

Unported

		Port Size	
		In	Out
BI		None	None

Side Ported - SAE O-ring

CW	CCW	Port Size	
		In	Out
FB	BF	1-1/2"	1-1/4"
FC	CF	1-1/2"	1"
FG	GF	1-1/4"	1-1/4"
FJ	JF	1-1/4"	1"
FL	LF	1"	1"
BC	CB	1-1/2"	None
BG	GB	1-1/4"	None
BJ	JB	1"	None
BL	LB	None	1-1/4"
BN	NB	None	1"

Orientation is viewed from the shaft end

Motor - Side Ported - SAE O-ring

		Port Size	
		In	Out
VC		1-1/4"	1-1/4"
VN		1"	1"
VR		3/4"	3/4"

Side Ported - SAE Split Flange

CW	CCW	Port Size	
		In	Out
EC	CE	2"	1-1/2"
EF	FE	2"	1-1/4"
EG	GE	2"	1"
EH	HE	1-1/2"	1-1/2"
EJ	JE	1-1/2"	1-1/4"
EK	KE	1-1/2"	1"
EL	LE	1-1/4"	1-1/4"
EM	ME	1-1/4"	1"
EN	NE	1"	1"
OE	EO	2"	None
OF	FO	1-1/2"	None
OG	GO	1-1/4"	None
OJ	JO	1"	None
OL	LO	None	1-1/2"
OM	MO	None	1-1/4"
ON	NO	None	1"

Orientation is viewed from the shaft end

Motor - Side Ported - SAE Split Flange

		Port Size	
		In	Out
CR		1-1/2"	1-1/2"
CS		1-1/4"	1-1/4"
CT		1"	1"
CV		3/4"	3/4"

Connecting Shaft ¹⁰

For connecting tandem units
1 = Connecting Shaft - Multiple Units

Bearing Carriers ⁹

See following page for Bearing Carrier options

Shaft Type ⁸

07 = SAE "C" 14 Tooth Spline 1.250 Dia.
11 = SAE "C" Keyed 1.249 Dia. 5/16" x 15/32" x 1-1/2" Key
25 = SAE "B" 13 Tooth Spline .88" Dia.
43 = SAE "BB" Keyed 1" Dia. 1/4" x 3/8" x 1-1/4" Key
73 = SAE "C" Keyed Long
98 = SAE "BB" 15 Tooth Spline 1" Dia.

Gear Size ⁷

Code / Displacement (in³/r)

05 (1.28)	07 (1.91)	10 (2.55)	12 (3.19)	15 (3.83)
17 (4.46)	20 (5.10)	22 (5.74)	25 (6.38)	

Gear Housing ⁶

Code	Port Size		
	In	Out	
AB	None	None	Pump
EB	None	None	Motor

MH350 Series Bushing Pump

Model Code Breakdown Cont.

Bearing Carriers ⁹

Dual Outlet Pumps

SAE Split Flange

CW	CCW	Port Size		
		In	Out	Out
AF	FA	2-1/2"	1-1/4"	1-1/4"
AG	GA	2-1/2"	1-1/4"	1"
AH	HA	2-1/2"	1"	1"
AM	MA	2"	1-1/4"	1-1/4"
AN	NA	2"	1-1/4"	1"
AP	PA	2"	1"	1"
AT	TA	1-1/2"	1-1/4"	1-1/4"
AU	UA	1-1/2"	1-1/4"	1"
AV	VA	1-1/2"	1"	1"
AW	WA	1-1/4"	1-1/4"	1-1/4"
AX	XA	1-1/4"	1-1/4"	1"
AY	YA	1-1/4"	1"	1"
AZ	ZA	1"	1"	1"

Orientation is viewed from the shaft end

Dual Outlet Pumps

SAE O-ring

CW	CCW	Port Size		
		In	Out	Out
GM	MG	2"	1-1/4"	1-1/4"
GN	NG	2"	1-1/4"	1"
GP	PG	2"	1"	1"
GT	TG	1-1/2"	1-1/4"	1-1/4"
GU	UG	1-1/2"	1-1/4"	1"
GV	VG	1-1/2"	1"	1"
GW	WG	1-1/4"	1-1/4"	1-1/4"
GX	XG	1-1/4"	1-1/4"	1"
GY	YG	1-1/4"	1"	1"
GZ	ZG	1"	1"	1"

Orientation is viewed from the shaft end

Single Outlet Pumps

SAE Split Flange

CW	CCW	Port Size	
		In	Out
HB	BH	2"	1-1/2"
HC	CH	2"	1-1/4"
HF	FH	2"	1"
HL	LH	1-1/2"	1-1/2"
HM	MH	1-1/2"	1-1/4"
HN	NH	1-1/2"	1"
HO	OH	1-1/4"	1-1/4"
HP	PH	1-1/4"	1"
HQ	QH	1"	1"
RS	SR	1-1/4"	1"

Orientation is viewed from the shaft end

Single Outlet Pumps

SAE O-ring

CW	CCW	Port Size	
		In	Out
KB	BK	2"	1-1/2"
KC	CK	2"	1-1/4"
KF	FK	2"	1"
KL	LK	1-1/2"	1-1/2"
KM	MK	1-1/2"	1-1/4"
KN	NK	1-1/2"	1"
KO	OK	1-1/4"	1-1/4"
KP	PK	1-1/4"	1"
KQ	QK	1"	1"

Orientation is viewed from the shaft end

Combined Outlet Pumps

SAE Split Flange

CW	CCW	Port Size	
		In	Out
UN	NU	2"	1-1/2"
UO	OU	2"	1-1/4"
UP	PU	1-1/2"	1-1/2"
UQ	QU	1-1/2"	1-1/4"
UR	RU	1-1/4"	1-1/4"

Orientation is viewed from the shaft end

Combined Outlet Motors

SAE Split Flange

		Port Size	
		In	Out
AA		2"	2"
BB		1-1/2"	1-1/2"
CC		1-1/4"	1-1/4"
EE		1"	1"
FF		3/4"	3/4"

Orientation is viewed from the shaft end

Combined Outlet Pumps

SAE O-ring

CW	CCW	Port Size	
		In	Out
PE	EP	2"	1-1/2"
PM	MP	2"	1-1/4"
PN	NP	1-1/2"	1-1/2"
PQ	QP	1-1/2"	1-1/4"
PR	RP	1-1/4"	1-1/4"

Orientation is viewed from the shaft end

Combined Outlet Motors

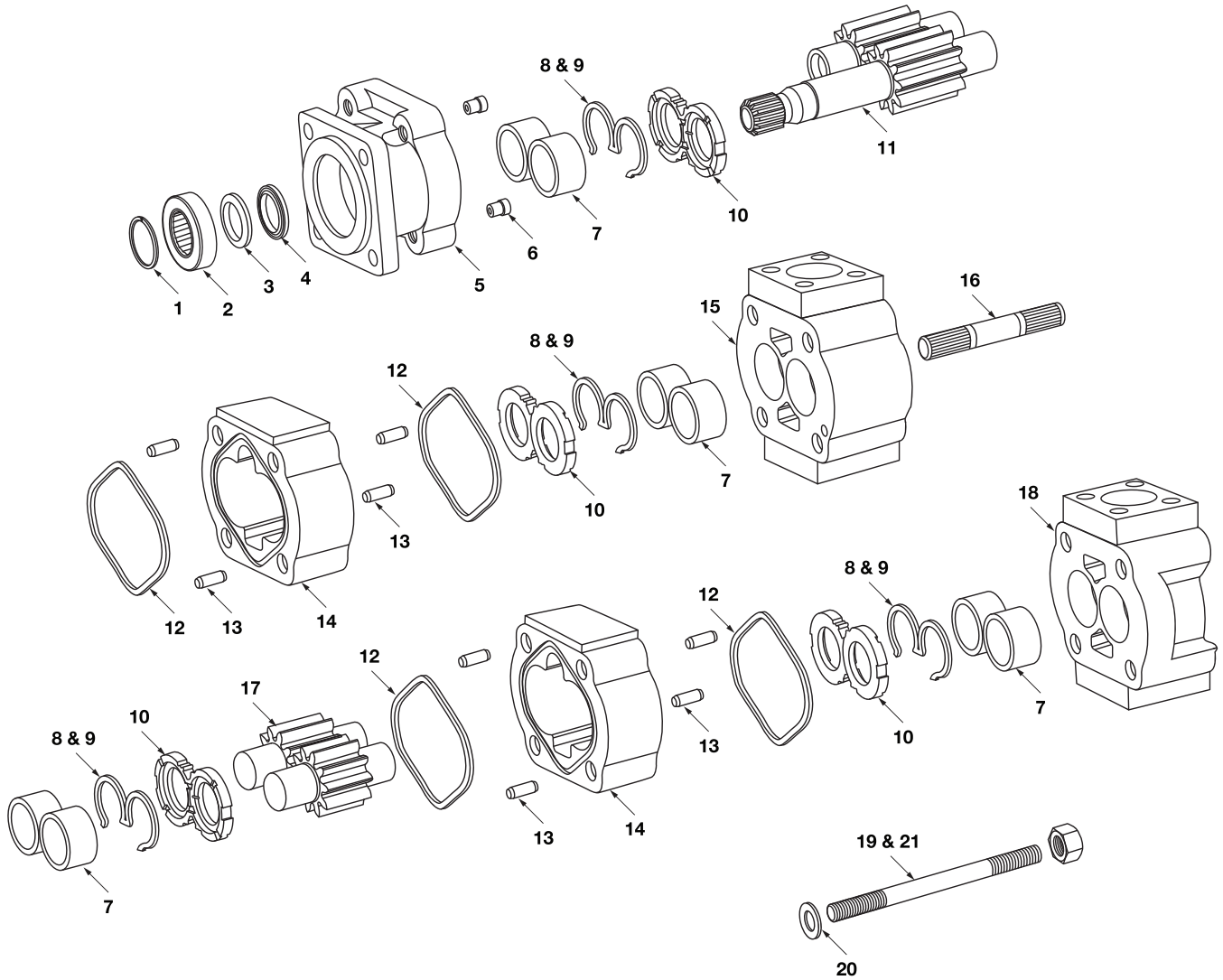
SAE O-ring

		Port Size	
		In	Out
MM		1-1/2"	1-1/2"
NN		1-1/4"	1-1/4"
QQ		1"	1"
RR		3/4"	3/4"

Orientation is viewed from the shaft end

MH350 Series

Parts Breakdown



MH350 Series

Parts Breakdown

DRAWING NO.	DESCRIPTION	METARIS #	ALTERNATE #
1	SHAFT BRG. SNAP RING	X05-03-77250	391-2686-065
2a	INPUT SHAFT BRG.	X03-16-13272	391-0381-077
2b	SEAL RETAINER & SPACER IN PLACE OF SHAFT BRG.	A50-60-10000	391-3383-087
3	SEAL RETAINER FOR MOTORS ONLY	A50-60-30000	391-3383-020
4a	PUMP LIP SEAL	X83-11-03308	391-2883-103
4b	MOTOR LIP SEAL	X84-36-03309	391-2883-115
4c	SEAL FOR CONTINENTAL SHAFT	X89-11-03308	391-2883-133
5a	4 BOLT B MOUNT PUMP S.E.C. WITHOUT BUSHING TYPE 42 (4" or 101,6 mm pilot)	A35-10-21421	323-5033-201
5b	4 BOLT B MOUNT PUMP S.E.C. WITH BUSHING TYPE 42 (4" or 101,6 mm pilot)	A35-10-21422	323-5133-201
5c	2/4 BOLT B MOUNT PUMP S.E.C. WITHOUT BUSHING TYPE 46 (4" or 101,6 mm pilot)	A35-10-21321	323-5053-201
5d	2/4 BOLT B MOUNT PUMP S.E.C. WITH BUSHING TYPE 46 (4" or 101,6 mm pilot)	A35-10-21322	323-5153-201
5e	4 BOLT C MOUNT PUMP S.E.C. WITHOUT BUSHING TYPE 78 (5" or 127 mm pilot)	A35-10-21431	323-5033-202
5f	4 BOLT C MOUNT PUMP S.E.C. WITH BUSHING TYPE 78 (5" or 127 mm pilot)	A35-10-21432	323-5133-202
5g	2 BOLT B MOUNT PUMP S.E.C. WITHOUT BUSHING TYPE 97 (4" or 101,6 mm pilot)	A35-10-21221	323-5023-201
5h	2 BOLT B MOUNT PUMP S.E.C. WITH BUSHING TYPE 97 (4" or 101,6 mm pilot)	A35-10-21222	323-5123-201
5i	2 BOLT C MOUNT PUMP S.E.C. WITHOUT BUSHING TYPE 98 (5" or 127 mm pilot)	A35-10-21231	323-5023-202
5j	2 BOLT C MOUNT PUMP S.E.C. WITH BUSHING TYPE 98 (5" or 127 mm pilot)	A35-10-21232	323-5123-202
5k	4 BOLT B MOUNT MOTOR S.E.C. WITHOUT BUSHING TYPE 42 (4" or 101,6 mm pilot)	A35-10-41421	323-5033-401
5l	4 BOLT B MOUNT MOTOR S.E.C. WITH BUSHING TYPE 42 (4" or 101,6 mm pilot)	A35-10-41422	323-5133-401
5m	2/4 BOLT B MOUNT MOTOR S.E.C. WITHOUT BUSHING TYPE 46 (4" or 101,6 mm pilot)	A35-10-41321	323-5053-401
5n	2/4 BOLT B MOUNT MOTOR S.E.C. WITH BUSHING TYPE 46 (4" or 101,6 mm pilot)	A35-10-41322	323-5153-401
5o	4 BOLT C MOUNT MOTOR S.E.C. WITHOUT BUSHING TYPE 78 (5" or 127 mm pilot)	A35-10-41431	323-5033-402
5p	4 BOLT C MOUNT MOTOR S.E.C. WITH BUSHING TYPE 78 (5" or 127 mm pilot)	A35-10-41432	323-5133-402
5q	2 BOLT B MOUNT MOTOR S.E.C. WITHOUT BUSHING TYPE 97 (4" or 101,6 mm pilot)	A35-10-41221	323-5023-401
5r	2 BOLT B MOUNT MOTOR S.E.C. WITH BUSHING TYPE 97 (4" or 101,6 mm pilot)	A35-10-41222	323-5123-401
5s	2 BOLT C MOUNT MOTOR S.E.C. WITHOUT BUSHING TYPE 98 (5" or 127 mm pilot)	A35-10-41231	323-5023-402
5t	2 BOLT C MOUNT MOTOR S.E.C. WITH BUSHING TYPE 98 (5" or 127 mm pilot)	A35-10-41232	323-5123-402
6a	CHECK VALVE MOTOR	A00-75-11000	391-3681-001
6b	PRESSURE PLUG PUMP	X02-03-32110	391-2286-004
7	BUSHING	X03-00-33337	391-0482-308
8	PUMP BUNA SEAL	A35-82-11050	391-2882-140
9	PUMP NYLON BACKUP SEAL	A35-82-46010	391-2882-139
10a	PUMP THRUST PLATE	A35-70-20000	391-2185-057
10b	MOTOR THRUST PLATE	A35-70-10000	391-2185-068
Not Shown	MOTOR NYLON BACKUP SEAL	A35-82-46030	391-2885-075
Not Shown	MOTOR THRUST PLATE SIDE SEAL	A35-82-14021	391-2885-073

MH350 Series

Parts Breakdown

DRAWING NO.	DESCRIPTION	METARIS #	ALTERNATE #
Not Shown	MOTOR THRUST PLATE END SEAL	A35-82-14020	391-2885-074
11a	SHAFT & GEAR 14 TOOTH SPLINE 1.228" maj. dia. TYPE 7	A35-50-XX245	323-29XX-250
11b	SHAFT & GEAR 1.250" KEYED (5/16") TYPE 11	A35-50-XX145	323-29XX-750
11c	SHAFT & GEAR SET 13 TOOTH SPLINE 0.858" maj. dia TYPE 25	A35-50-XX225	323-29XX-230
11d	SHAFT & GEAR SET 0.9984" dia. KEYED (1/4" x 3/8" x 1 1/4") TYPE 43	A35-50-XX135	323-29XX-740
11e	SHAFT & GEAR 15 TOOTH SPLINE 0,980" maj. dia. TYPE 98	A35-50-XX231	323-29XX-240
11f	SHAFT & GEAR 1.250" dia. KEYED (5/16" x 5/16" x 2 1/4") TYPE 73	Special Order	323-29XX-752
12a	PUMP HOUSING GASKET	X85-11-11403	391-2884-074
12b	MOTOR HOUSING GASKET	X85-11-10803	391-2884-021
13	HOUSING DOWEL PIN	A00-94-11025	391-2082-032
14a	PUMP GEAR HOUSING	A35-33-XX000	323-81XX-100
14b	MOTOR GEAR HOUSING	A35-32-XX000	323-82XX-100
15a	350 BEARING CARRIER BLANK WITHOUT BUSHING	A35-40-00000	323-7200-100
15b	350 BEARING CARRIER BLANK WITH BUSHING	A35-40-10000	323-7700-100
15c	350 BEARING CARRIER 1 OUTLET WITHOUT BUSHING	A35-40-21000	323-7100-100
15d	350 BEARING CARRIER 1 OUTLET WITH BUSHING	A35-40-31000	323-7600-100
15e	350 BEARING CARRIER 2 OUTLET WITHOUT BUSHING	A35-40-22000	323-7300-100
15f	350 BEARING CARRIER 2 OUTLET WITH BUSHING	A35-40-32000	323-7800-100
15g	350/315 BEARING CARRIER CW WITHOUT BUSHING	A35-40-23000	323-3050-100
15h	350/315 BEARING CARRIER CW WITH BUSHING	A35-40-33000	323-3150-100
15i	350/315 BEARING CARRIER CCW WITHOUT BUSHING	A35-40-24000	323-3060-100
15j	350/315 BEARING CARRIER CCW WITH BUSHING	A35-40-34000	323-3160-100
16a	CONNECTING SHAFT	A35-50-00500	323-1133-001
16b	PIGGYBACK CONNECTING SHAFT PHASE 2	A82-50-00500	323-1133-006
16c	PIGGY BACK CONNECTING SHAFT BEARING SNAP RING	X05-01-61200	391-2686-019
16d	PIGGY BACK CONNECTING SHAFT BEARING	X03-16-13055	391-0381-099
16e	PIGGY BACK CONNECTING SHAFT SAE "B" SPLINE	A35-50-00620	323-1133-003
16f	PIGGY BACK CONNECTING SHAFT SAE "A" SPLINE	A35-50-00610	323-1133-002
17	GEAR SET ONLY	A35-50-XX000	323-28XX-000
18a	350 PUMP & MOTOR P.E.C. WITHOUT BUSHING NO PORTING	A35-23-00000	323-3000-100
18b	350 PUMP & MOTOR P.E.C. WITH BUSHING NO PORTING	A35-23-10000	323-3100-100
18c	350 PUMP P.E.C. PORTING TYPE WITHOUT BUSHING	A35-23-02000	323-3010-100

Note: The **XX** shown in the part number is in place of the size - the true value must be placed into the part number when ordering parts.

For example: Gear set no. A35-50-XX000 changes to A35-50-15000 for 1.5" gear size
 Housing no. A35-33-XX000 changes to A35-33-15000 for a 1.5" housing size
 No porting sizes have been indicated all porting must be specified when ordering parts.

MH350 Series

Parts Breakdown

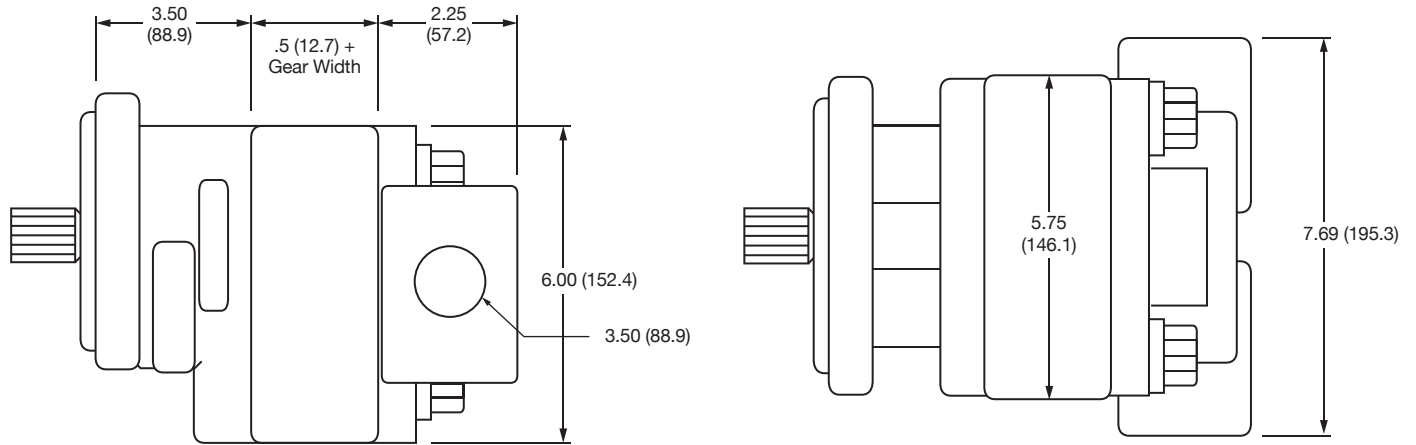
DRAWING NO.	DESCRIPTION	METARIS #	ALTERNATE #
18d	350 PUMP P.E.C. PORTING TYPE WITH BUSHING	A35-23-12000	323-3110-100
18e	350 MOTOR P.E.C. PORTING TYPE WITHOUT BUSHING	A35-22-02000	323-3020-100
18f	350 MOTOR P.E.C. PORTING TYPE WITH BUSHING	A35-22-12000	323-3120-100
18g	350 P.E.C. TO S.A.E. "A" PILOT CW WITHOUT BUSHING	A35-23-04000	323-3054-099
18h	350 P.E.C. TO S.A.E. "A" PILOT CW WITH BUSHING	A35-23-14000	323-3154-099
18i	350 P.E.C. TO S.A.E. "A" PILOT CCW WITHOUT BUSHING	A35-23-05000	323-3064-099
18j	350 P.E.C. TO S.A.E. "A" PILOT CCW WITH BUSHING	A35-23-15000	323-3164-099
18k	350 P.E.C. TO S.A.E. "B" PILOT CW WITHOUT BUSHING	A35-23-06000	323-3054-100
18l	350 P.E.C. TO S.A.E. "B" PILOT CW WITH BUSHING	A35-23-16000	323-3154-100
18m	350 P.E.C. TO S.A.E. "B" PILOT CCW WITHOUT BUSHING	A35-23-07000	323-3064-100
18n	350 P.E.C. TO S.A.E. "B" PILOT CCW WITH BUSHING	A35-23-17000	323-3164-100
19	BOLTS / STUDS (5/8"-UNC)	See Fasteners Page	
20	FLAT WASHER (5/8")	X45-10-17005	391-3784-028
21	HEX NUT (5/8"-UNC)	X42-11-16000	391-1451-076
Not Shown	CONTINENTAL SHAFT 1.250" KEYED (5/16") TYPE 11	A35-50-00141	323-1500-500
Not Shown	CONTINENTAL SHAFT TYPE 25 (0.875" Ø- 13 TOOTH SPLINE)	A35-50-00221	323-1000-300
Not Shown	CONTINENTAL SHAFT TYPE 73 LONG (1 1/4" Ø KEYED 5/16")	A35-50-00147	323-1500-502
Not Shown	CONTINENTAL SHAFT 14 TOOTH SPLINE 1.228" maj. dia. TYPE 7	A35-50-00241	323-1135-194
Not Shown	CONTINENTAL SHAFT TYPE 43 (1.00" Ø x 1/4" x 3/8" x 1 1/4" key)	A35-50-00131	323-1500-400
Not Shown	DRIVE KEY FOR TYPE 11 SHAFT	X01-02-80838	391-1781-083
Not Shown	DRIVE KEY FOR TYPE 43 SHAFT	X01-02-60632	391-1781-082
Not Shown	DRIVE KEY FOR TYPE 73 SHAFT	Special Order	391-1781-088
Not Shown	CONTINENTAL SHAFT BRG. RETAINER	A50-60-20000	391-3381-046
Not Shown	CONTINENTAL SHAFT BRG. RETAINER SNAP RING	X05-02-35120	391-2685-040
Not Shown	CASE DRAIN PLUG	X02-03-12060	391-2281-010

MH350 Series

Dimensions

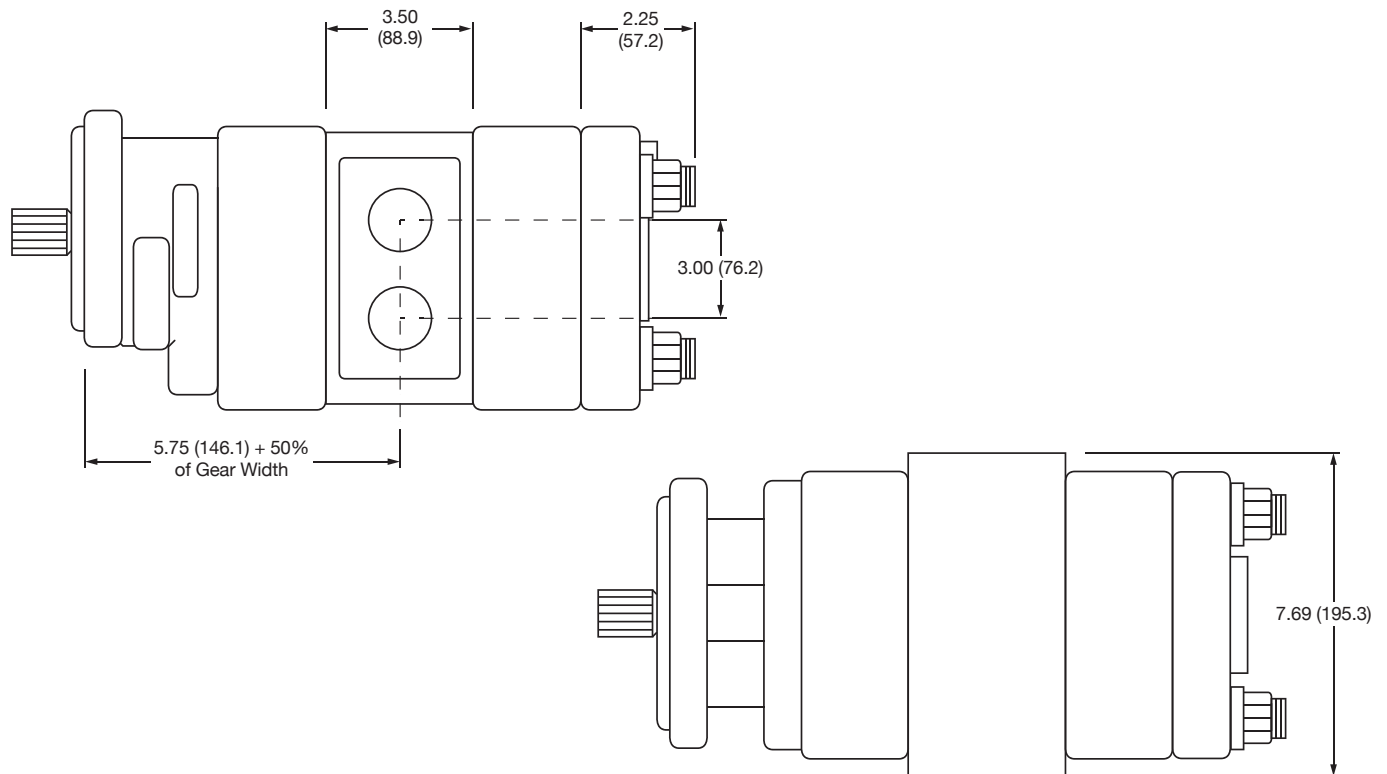
Single Unit

* Shaft dimension will change with the type of shaft used.



Multiple Unit

* Shaft dimension will change with the type of shaft used.



Dimensions are in inches (millimeters).